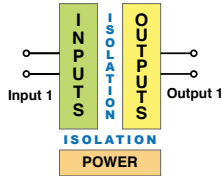




# Leopard TL-TC/RTD Isolator / Controller

- ▶ Compact, 22.5mm, DIN Rail Mount Isolator / Controller
- ▶ RTD and Thermocouple Inputs
- ▶ Two optional 6A Form C Relays
- ▶ Triple Isolated: Power to Inputs  
Power to Outputs  
Inputs to Outputs



**POWER SUPPLY**

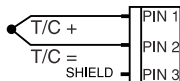
PS2  15 to 48 VAC 3.5W  
50-400 Hz  
Fuse Not Replaceable  
10 to 72 VDC 3.5W

PS1

85 to 265 VAC 3.5W  
50-400 Hz  
95 to 300 VDC 3.5W



Thermocouple, J/K/R/T, Selectable °C/°F, 1°/0.1°

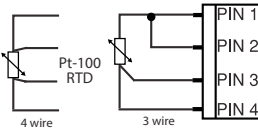


LINEARISATION IS DIGITAL

Typical accuracy is 0.05% + 2 counts

RTD, 100Ω or 1000Ω Pt. Select 3/4-wire, °C/°F, 1°/0.1°

Excitation is 1mA.  
Up to 50 Ω resistance  
in each lead can  
be compensated



LINEARISATION IS DIGITAL

Typical accuracy is 0.05% + 2 counts



Active OUTPUT  
4-20mA  4-20mA  
Isolated  0-10V

SP1  Optional Relay

6A Form C Relays

SP2  Optional Relay



**Sensor Range Table**

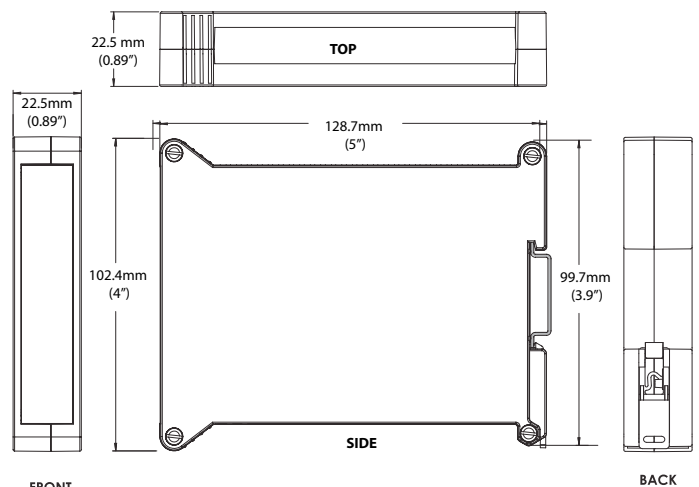
| Input Sensor         | Resolution | °C Range        | °F Range          |
|----------------------|------------|-----------------|-------------------|
| J T/C                | 1°         | -120 to 760°C   | -200 to 1400°F    |
|                      | 0.1°       | -120 to 530°C   | -199.9 to 999.9°F |
| K T/C                | 1°         | -120 to 1370°C  | -200 to 2500°F    |
|                      | 0.1°       | -120 to 530°C   | -199.9 to 999.9°F |
| R T/C                | 1°         | 0 to 1760°C     | 32 to 3210°F      |
|                      | 0.1°       | 0 to 530°C      | 32 to 999.9°F     |
| T T/C                | 1°         | -120 to 400°C   | -200 to 750°F     |
|                      | 0.1°       | -120 to 400°C   | -199.9 to 750.0°F |
| 100W RTD (385 curve) | 1°         | -200 to 800°C   | -200 to 1470°F    |
|                      | 0.1°       | -199.9 to 530°C | -199.9 to 999.9°F |
| 100W RTD (392 curve) | 1°         | -200 to 800°C   | -200 to 1470°F    |
|                      | 0.1°       | -199.9 to 530°C | -199.9 to 999.9°F |



Optional Remote Display Programmer

Needed for Programming Relays

**CASE DIMENSIONS**



TL-TC/RTD .. Smart Programmable TC/RTD Meter Relay

▶ **POWER SUPPLY**

PS1 . . . . . 85-265VAC/95-300VDC .....standard  
PS2 . . . . . 15-48VAC/10-72VDC .....optional

▶ **RELAY OUTPUT**

R4 . . . Single 6A Form C Relay .....optional  
R5 . . . Dual 6A Form C Relays .....optional

Short Depth 96x48 Remote Display/Programmer Kit  
OP-TL/RDISP . . Remote Display/Programmer w/  
Cable and Belt clip Carrying Case .....optional



- For ordering info call: 1-800-TEXMATE or 760 598-9899
  - Email: orders@texmate.com
  - For tech assistance call: (760) 598-9899
- 1934 Kellogg Ave, Carlsbad, CA 92008